

## D8114 Quad Serial Output Module Specification Sheet

### Features

- Increases serial data drive capability of Radionics control/communicators.
- Provides four isolated serial data output terminals
- Helps filter EMI from serial device wiring
- Suitable for use with Radionics serial devices
- Easy installation

### Description

The Radionics D8114 Quad Serial Output Module is an accessory device for the D8112 and D8124 Control/Communicator panels. The D8114 supplies four data output terminals to extend the serial data drive capability of the panel. Separate data terminals also helps to isolate and lessen the effect of induced EMI on serial device wiring.

The D8114 installs in the panel enclosure or in an adjacent approved enclosure using the Radionics D137 Mounting Bracket. The module provides screw terminal connections for ease of wiring to the serial devices. The number of serial devices that can be connected to the D8114 depends on the types of devices installed on each Data Out terminal.

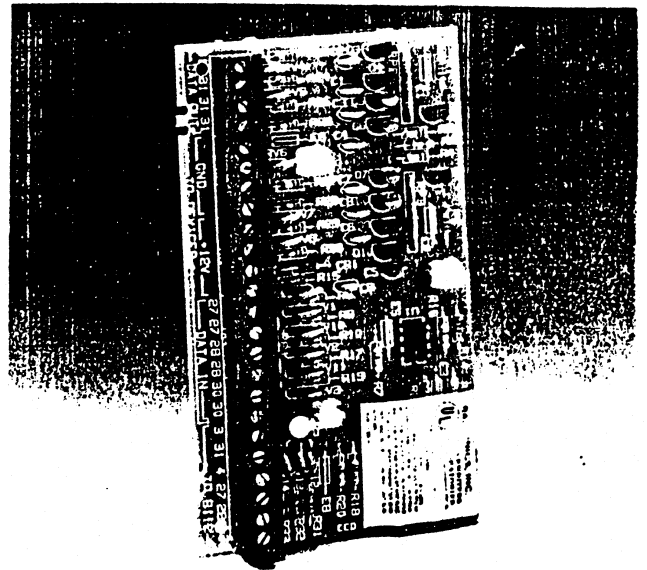
### Application

The D8114 module is used when there is a need to extend the serial data drive capabilities of Radionics D8112 and D8124 Control/Communicators. Some installations require serial devices to be installed in excess of recommended distances. The D8114 helps overcome most limitations associated with excessive distance.

The D8114 also is helpful in filtering interference associated with multiple serial devices being connected to a control/communicator or induced EMI on serial device wiring.

### Listings and Approvals

- UL listed
- CSFM and BSA approved



### Installation

The D8114 module installs in the D8124 enclosure or the Radionics D8103, D8109, or D8108A enclosures. You can mount the D8114 in any of the mounting locations provided. The D8114 can also be mounted in an adjacent approved enclosure using a Radionics D137 Mounting Bracket.

The D8114 connects to the panel through six separate wire connections. These provide power and serial data to the module. Terminal descriptions are clearly stenciled on the D8114 circuit board.

Six Data In terminals and four Data Out terminals are provided for connecting remote serial devices. The Data Out terminals are isolated from each other to reduce the effect of induced EMI on serial device wiring.

Four ground (GND) and four auxiliary power (+12 VDC) terminals, for serial device power, are provided for wiring convenience when connecting multiple devices.

### Ordering Information

Model	Description
D137	Mounting Bracket
D8114	Quad Serial Output Module

## Electrical Specifications

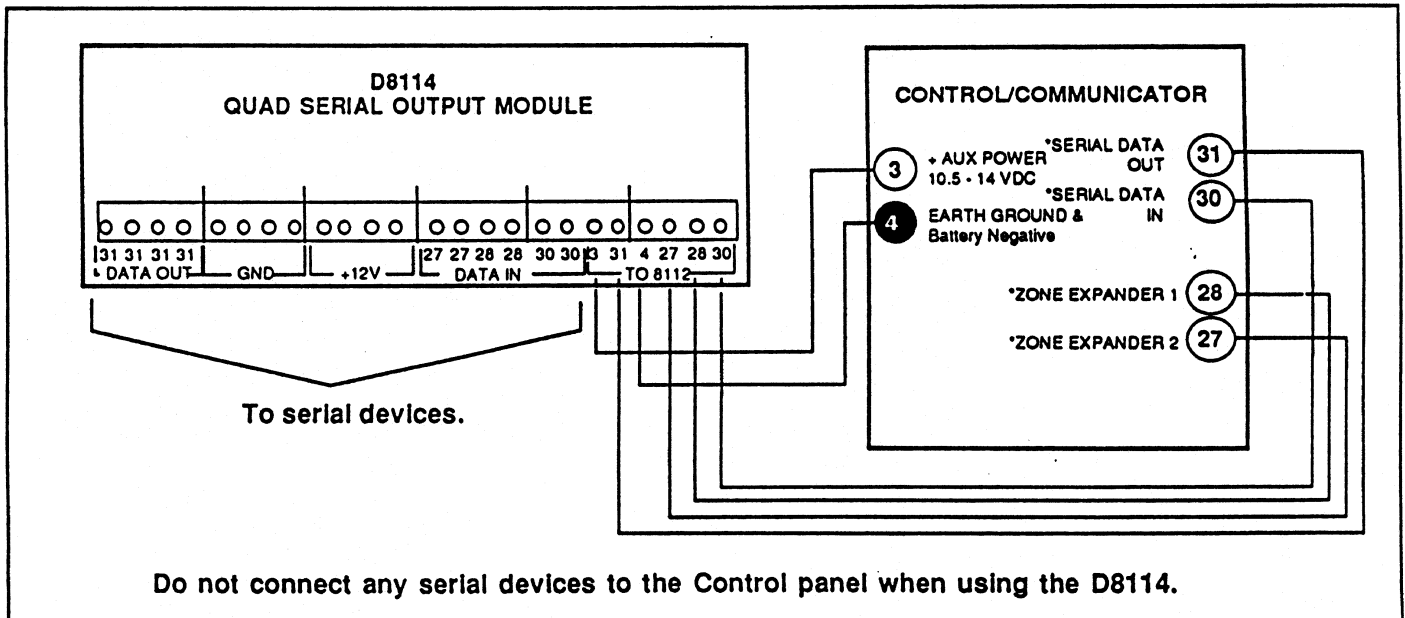
Operating Voltage	Nominal 12 VDC supplied by control communicator
Operating Current	20mA (D8114 only - see the specifications of additional serial devices for the operating current of those devices.)
Operating Temperature	0 to 50° C (32 to 122° F)
Humidity	5 to 85% at 30° C (86° F) (non-condensing)

## Operational Data

The D8114 module increases the serial data drive capability of Radionics D8112 and D8124 Control/Communicator panels. The D8114 receives auxiliary power and serial data output from the panel to support additional devices above the number recommended in standard configurations.

The D8114 can support up to 10 Alpha command centers, 16 D8128 OctoPOPIT or 8 Octo-Relay modules. The D8114 can support a combination of those or other serial devices in most applications. Refer to the *D8114 Operation and Installation Manual (74-04984-000)* for a detailed list of all compatible devices and the maximum number for each application.

## Wiring Information



## Specifications

The contractor shall furnish and install the Radionics D8114 Quad Serial Output module in the specified control/communicator panel. The D8114 shall increase the panel's serial data drive capabilities and lessen the effect of induced EMI on serial device wiring. The D8114 shall support additional serial devices up to the amount stated by Radionics in the *D8114 Operation and Installation Manual (74-04984-000)*. The D8114 shall support serial devices installed in excess of normal recommended distances.

The D8114 shall provide four isolated Data Out terminals for connecting multiple serial devices. The unit shall also provide four terminals each of auxiliary power and ground.

The D8114 shall mount inside the control/communicator enclosure or adjacent approved enclosure. When mounting the D8114 in other than a Radionics enclosure, a model D137 Mounting Bracket shall be used. All wiring and connections must meet applicable standards and conform to the requirements of the authority having jurisdiction.

## Dimensions

5.0" L x 3.0" W x 0.75" D

© 1992 Radionics, Inc., Salinas, CA, U.S.A. All rights reserved.

™ The Radionics logo is a registered trademark of Radionics, Inc., Salinas, CA.



Radionics, Inc., 1800 Abbott Street  
Salinas, CA, 93901, U.S.A.

Radionics, 1 Park Gate Close, Bredbury  
Stockport, Cheshire, SK6 2SZ, England